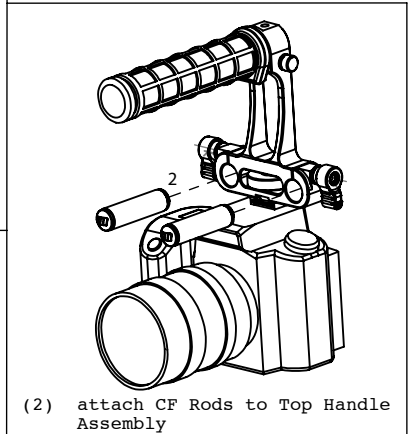
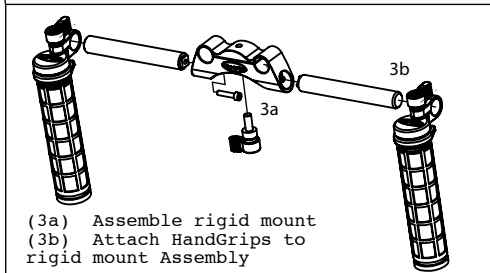


- (1a) Assemble microHandle Plus by attaching Grip to Handle using screw. Once attached, add blue knobs and Logo sticker  
 (1b) Attach microshoe attachment to microHandle by threading the shoe part through the bottom of the handle. Once shoe is in place, attach washer and screw to complete assembly  
 (1c) Attach microShoe / microHandle assembly to camera

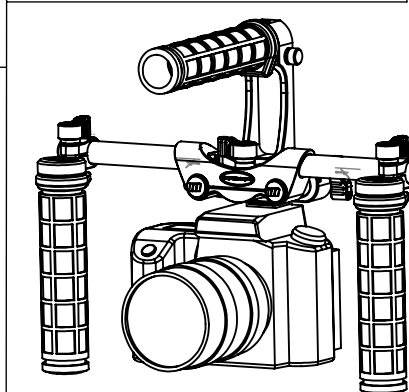
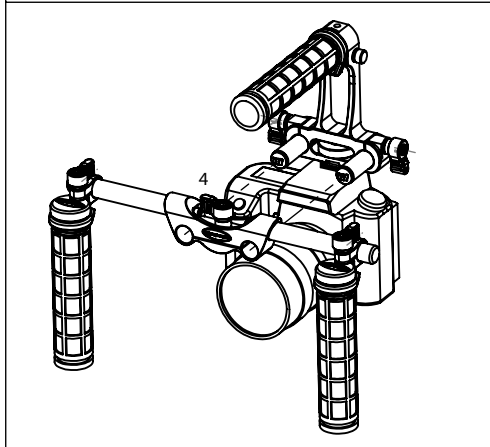
NOTE: The microHandle Plus is only recommended for unibody DSLR Cameras



- (2) attach CF Rods to Top Handle Assembly



- (3a) Assemble rigid mount  
 (3b) Attach HandGrips to rigid mount Assembly



NOTE: Handle can be reversed for balance purposes

ASSEMBLY COMPLETE  
 NOW GO SHOOT!

