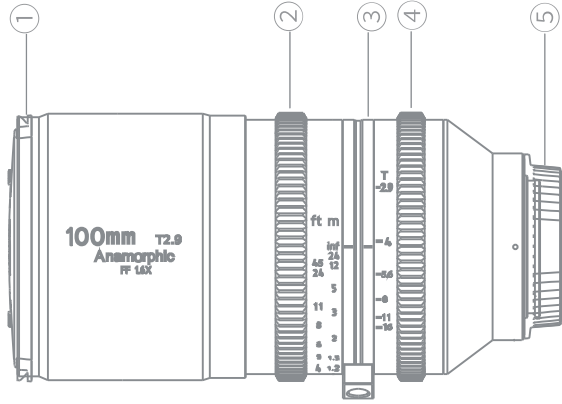




INSTRUCTIONS

Components of the Lens



- ① Top Lens Cap
- ② Focus Ring
- ③ Indicator Ring
- ④ Aperture Ring
- ⑤ Bottom Lens Cap

Lens Features

1. Shoot wide-screen video in 1.6:9 aspect ratio (desqueeze the image in post to get a CinemaScope 2.8:1 aspect ratio).
2. Create Sci-Fi shots with brushed and backlighting effects.
3. Easily turn the aperture ring to optimize the depth of view and bokeh effect.
4. Multi-layer coating for lens elements transitioning from the front water-proof film to Nano coating for protection.
5. Solidly constructed with aircraft aluminum housing and precision copper focus components, the lens is compact and robust yet light enough to smoothly capture high quality images.

Lens Set-up Instructions

1. Attach the lens to the camera
Align the red dot on the lens with the white dot on the camera then attach and secure the lens onto the camera with a clockwise turn. (For Nikon cameras, turn the lens counterclockwise to secure.)
2. Remove the lens
To remove, press down the security button on the camera then rotate the lens in the counter-clockwise direction to separate it from the camera. (Detach the lens from your Nikon camera with a clockwise turn.)

Product Precautions for Normal Use

- Please avoid any long-term exposure to the lens in a wet environment which may produce mold and rust on the lens. Store the lens in an airtight cabinet with a drying agent. For other options, contact your SIRUI rep for information on a SIRUI High Performance Humidity Control Cabinet or visit www.sirui.com.
- Do not touch the lens glass surface with your fingers. Gently remove dust and dirt with a cleaning cloth or lens brush. Wipe off fingerprints with lens cleaning products and a lens cloth. Do not clean the lens with general household cleaners.
- Please avoid using the lens in the rain or near water as this may damage the lens and void the warranty.
- When transporting the lens from a hot and cold environment, please place the lens into a lens case or a commercial camera bag. When removed, allow the lens some time to adapt to the new temperature as the lens interior may develop condensation if not.

Data Chart for the Lens

Model	SIRUI 100mm T2.9 1.6x Full-Frame Anamorphic Lens
Focal Length	100mm
Maximum Aperture	T2.9
Minimum Aperture	T16
Lens Structure	15 Elements in 13 Groups
Aperture Blades	13
Maximum Support Frame	Full Frame
Shooting Distance	3ft (0.93m) - ∞
Focus Method	Manual Focusing
Maximum Magnification	1:8.50(V) , 1:13.64(H)
Shooting Area for MOD	204mm*491mm
Filter Spec	M82×0.75
Rotation Angle of the Focus Ring	100°
Max. Diameter	88mm/3.46inches
Diameter of the Focus Ring	88mm/3.46inches
Weight (g/lbs)	L Mount: 1477/3.26
	E Mount: 1490/3.28
	Z Mount: 1493/3.30
Total Length (Lens Cap Not Included) (mm/inch)	RF Mount: 1486/3.28
	L Mount: 164/6.46
	E Mount: 166/6.54
	RF Mount: 164.5/6.48
	Z Mount: 168/6.61

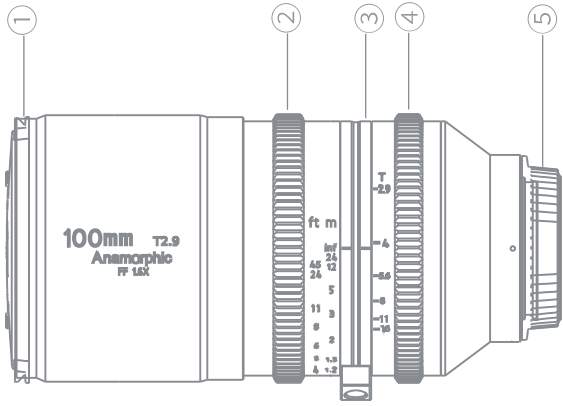


影像随心 思锐随行



使用说明

镜头元件



- ① 顶部镜头盖
- ② 对焦环
- ③ 标识环
- ④ 光圈环
- ⑤ 底部镜头盖

镜头特色

1. 在16:9的模式下能拍摄宽幅视频(后期还原2.8:1的宽银幕比例)。
2. 独特的逆光拉丝效果,科技感十足。
3. 大光圈出色的景深和迷人的椭圆焦外。
4. 所有镜片高透纳米多层镀膜,镜头最前镀膜防水防污膜。
5. 外壳采用精密的航空级铝合金材料,对焦等关键部位采用精密钢材,加上紧凑的结构设计,让镜头变得轻巧、耐用,同时拥有丝滑的对焦手感。

镜头操作说明

1. 镜头安装
镜头的红色圆点对准相机机身的白色圆点,顺时针方向旋转镜头,听到“嗒”声镜头锁紧为止。(尼康相机逆时针旋转镜头)
2. 镜头卸除
按下相机机身锁紧按钮,逆时针方向旋转镜头,把镜头从机身上取下。(尼康相机顺时针旋转镜头)

镜头使用、保存注意事项

- 由于潮湿的关系可能导致发霉或生锈,长期不用的时候,请与干燥剂一起放置在密闭性好的容器内保管,请勿放置在有樟脑丸/防虫剂等的地方。
- 请勿直接触摸镜片表面,灰尘或污渍可以用吹气球或镜头刷轻轻除去。指纹等可用布面上销售的镜头清洁剂和镜头纸轻轻擦拭。汽油、稀释液(香蕉水)等有机溶剂切勿使用。
- 该镜头非防水结构,雨天或近水源的地方使用时,请勿弄湿。若镜头内部进水,存在引起放大故障,导致无法维修的可能性。
- 环境温度突变时,镜头内部可能产生水蒸气结露现象,从寒冷室外进入温暖屋内时,请放置在镜头包或者封口塑料袋中,直至镜头温度与环境温度相近时再取出。

镜头规格

镜头名称	SIRUI 100mm T2.9 1.6x Full-Frame Anamorphic Lens	
焦点距离	100mm	
最大光圈	T2.9	
最小光圈	T16	
镜片结构	13组15片	
光圈叶片数	13	
支持最大画幅	全画幅	
拍摄距离	3ft (0.93 m) - ∞	
对焦方式	手动(MF)	
最大放大倍率	1:8.50(V) , 1:13.64(H)	
在最近对焦距离拍摄区域	204mm*491mm	
滤镜规格	M82×0.75	
对焦环的旋转角度	100°	
最大直径	88mm	
对焦环的直径	88mm	
重量(含前后盖)	L卡口:1477g	E卡口:1490g
	RF卡口:1486g	Z卡口:1499g
	L卡口:164mm	E卡口:166mm
长度(不含镜头盖)	RF卡口:164.5mm Z卡口:168mm	



SIRUI

Thank you for purchasing SIRUI products! SIRUI will provide free warranty service if the product fails due to poor materials and workmanship under normal use. The global agents are ranked in no particular order. If after-sales service is required, please contact the local agent first.

Headquarter of SIRUI Optical Co., Ltd.

After-Sale Service Hotline: 400 830 2299
Complaints Hotline: 181 6563 9388

Singapore/T K Foto Technic Pte Ltd

Address: Funan 107 North Bridge Rd #03-09 Singapore 179105
Tel: +65 6904 6610 **Fax:**+65 6904 6620
http: //www.tkfoto.com.sg **E-mail:** ark@tkfoto.com.sg

Global Distributor Directory



Products Info



Official Website

News and Tutorials



YouTube

Services



Facebook

India/Foto centre Trading Pvt. Ltd

Address: Foto Centre Trading Pvt.Ltd* 303, 3rd Floor, Ravi Building, 189-191, Dr. D. N. Road, Mumbai-400 001.Maharashtra,India **Tel:** 0091-9820110120
http: //www.sirui.in **E-mail:** info@sirui.in

Canada/LightPro Group Inc

Address: 3206 Wharton Way Mississauga, ON L4X 2C1
Toll Free: 1-800-361-9682 Tel: 905-940-9262
http: //www.lightprogroup.com **E-mail:** Sales@lightprogroup.com

Kazakhstan/PSP Digital

Address: г. Алматы, проспект Абая 130 (территория ЖК «Абай 130»)
Tel: 8 707 217 03 99 8 707 958 54 94
http: //pspdf.kz/contacts **E-mail:** pspkz@mail.ru

Russia /REQUIRED, LLC

Address:
Tel: 8 (499) 500-96-27
http: //kremlinstore.ru **E-mail:** order@kremlinstore.ru

Romania/West Buy S.R.L

Address: Bdul. Mircea Voda nr. 36, Sector 3, Bucharest, Romania, 030688

Telephone: +(4)021.3205652 **Tel/Fax:** +(4)021.3205655 **Mobile:** +(4)0745414956

Mobile: +(4)0752111704 **Mobile:** +(4)0756111947 **Mobile:** +(4)0752110439

http: //www.westbuy.ro **E-mail:** westbuy1@gmail.com

Slovenia/Infocona d.o.o

Address: Prevale 9, 1236 Trzin

Tel: 01/ 562 00 61 **http:** // **E-mail:** info@infocona.si

Turkey/siruiturkiye

Address: Çobançesme Mah. Sanayi Cad. Kırmız Sk. No:12 Yenibosna Bahçelievler, İstanbul

Tel: 0(850)222 37 73

http: //www.siruiturkiye.com **E-mail:** oceltikci@essegroup.com

Hong Kong/HONG KONG RUIJIE TRADING COMPANY LIMITED

Address: UNIT C 15/F HUA CHIAO COMM CTR 678 NATHAN RD MONGKOK KL

Tel: 00852-9409 5241

http: // **E-mail:** paulli34@foxmail.com

South Africa/Sunshine Distribution PTY LTD

Address: 29 Keyes Avenue, Rosebank Johannesburg, 2196, South Africa

Mobile: +27 79 641 0288 **Phone:** +27 11 268 0803

http: //www.sunshineco.co.za **E-mail:** Willem@sunshineco.co.za

Israel/Argol LTD

Address: 19 Hamerkava st.Holon 5885113 Israel

Tel: +972-3-5581901-6 **Fax:** +972-3-5501148

http: //www.argol.co.il **E-mail:** eli@argol.co.il

Malaysia/Leomax (M) Sdn Bhd

Address: B-5-7, block B, Pusan komersial southgate Jln dua, off jln Chan sow Lin 55200 Kuala

Lumpur, Malaysia **Tel:** (+603)9224 2001

http: //www.leomax.com.my **E-mail:** account@leomax.com.my

Panama /TODO FOTO PANAMA

Address: Avenida Justo Arosemena y Cl. 45 Este, Panamá Ciudad de Panamá

Tel: 225-4620 / 203-1288

http: //www.todofotopanama.com **E-mail:** rosa@todofotopanama.com

Nigeria/Nextgen Media Ltd

Address: 73, Allen Avenue, Ikeja, Lagos

M. +234 (0) 805 1987 394 | +234 (0) 909 1094 565

http: //www.nextgentv.tv **E-mail:** Afolasade.OK@nextgentv.tv

Ukraine/BIGggSALE.com

Address: Ровно: ул. Данила Галицького 19, 718 офис. (Главный офис)

Tel: (096)308-36-00;(063)308-36-00;(066)308-36-00

http: //BIGggSALE.com **E-mail:** shop@bigggsale.com

Luxembourg /TSE Imaging BV

Address: Argonweg 135, 1362 AD Almere,

Tel: +31 (0) 36 8450348

http: //www.tseportal.nl **E-mail:** service@tokina.eu

Belgium/TSE Imaging BV

Address: Argonweg 135, 1362 AD Almere,

Tel: +31 (0) 36 8450348

http: //www.tseportal.nl **E-mail:** service@tokina.eu

Italy /TOSCANA FOTO SERVICE S.r.l.

Address: Via Ponte all' Asse, 2/4, 50019 Sesto Fiorentino (FI)

Tel:

http: //www.sirui-italia.it **E-mail:** info@fotocomm.it

Poland/Focus Nordic

Address: Al. Jerozolimskie 180, 02-486 Warszawa

Tel: +48 697 991 248

http: //www.focusnordic.pl **E-mail:** info@focusnordic.pl

Taiwan/Tai Nein Company Ltd.

Address: 2F, No.29, Ren Ai Road, Sec 2, Taipei, Taiwan
Tel: +886-2-33433966 **Fax:**+886-2-33433969
http: //www.lf99.com **E-mail:** tainein@ms23.hinet.net

Thailand/ 456 Marketing Company Ltd

Address: 636/12 Soi Ramkhamhaeng 39 (Thepleela1), Wangthonglang, Bangkok 10310, Thailand. **Tel:** (+662)934-6565
http: //www.456mkt.com **E-mail:** online@456mkt.com

Japan/常盤写真用品株式会社

Address: 〒460-0011 名古屋市中区大須4丁目3番43号
Tel: 052-251-0351 **Fax:** 052-251-0981
http: //www.sirui-japan.com **E-mail:** takahashi@tokiwasyashin.co.jp

New Zealand/Photogear

Address: (1) 3/2 Tawa Drive, Rosedale, Auckland (2) 49 Mackelvie Street, Ponsonby, Auckland
Tel: (+64) 9 4792886
http: //www.photogear.co.nz **E-mail:** support@photogear.co.nz

Slovakia/Focus Nordic AB

Address: KUTA centrum, Zelený pruh 95/97, 140 00 Praha 4, Česká Republika
Tel: +420 604 582 550
http: //www.focusnordic.sk **E-mail:** info@focusnordic.sk

Czech Republic/Focus Nordic

Address: Zeleny pruh 95/97, 140 00 Praha 4
Tel: +46 31 336 23 00
http: //www.focusnordic.cz **E-mail:** info@focusnordic.cz

Netherlands/TSE Imaging BV

Address: Argonweg 135, 1362 AD Almere,
Tel: +31 (0) 36 8450348
http: //www.tseportal.nl **E-mail:** service@tokina.eu

Estonia/Focus Nordic

Address:
Tel: +46 31 336 23 00
http: //www.focusnordic.ee **E-mail:** info@focusnordic.ee

Vietnam (Hanoi)/SÔNG HỒNG CAMERA

Address: SÔNG HỒNG CAMERA - 44 TRĂNG THI, HOÀN KIẾM, HÀ NỘI
Tel: Hotline CH: 098.888.2533 - 024.3938.2267
http: //www.songhongcamera.com **E-mail:** banhang@songhongcamera.com

Vietnam (Ho Chi Minh)/Rawshop.vn

Address: 61 Đường Núi Thành, Phường 13, Tân Bình, Thành phố Hồ Chí Minh, Vietnam
Tel: 00842862656999
http: //rawshop.vn **E-mail:** thanhnam79@gmail.com

Saudi Arabia/Cameramix

Address: Al-Manar, Jeddah 23462 Saudi Arabia
Tel: 00966126282444
http: //cameramix.com **E-mail:** sales@cameramix.com
درمانج نب بيسو
Jeddah 23462 Saudi Arabia

Republic of Korea/ Daekwang Enterprise

Address: Namdaemunno 10, Jung-gu, Seoul, South Korea (zip: 04528)
Tel: (+82) 2-752-3304
http: //www.sirui.co.kr **E-mail:** daekwangas@gmail.com

Australia/ DISCOUNT DIGITAL PTY LTD

Address: Suite1,64 Alexander St, crows Nest NSW2065, Australia
Tel: (+61)408 660 083
http: //www.pixelone.com.au **E-mail:** sales@pixelone.com.au

Indonesia/ Focus Nusantara

Address: Jln. Tanah Abang II No 77 Jakarta Pusat -10160, Indonesia
Tel: (+62)21 380 8080
http: //focusnusantara.com **E-mail:** saiful@focusnusantara.com

Republic of Lithuania /Focus Nordic

Address: Vienibas Avenue 109, LV-1058 Riga Latvia

Tel: +37 06 12 86 120

http: //www.focusnordic.lt **E-mail:** info@focusnordic.lt

Sweden/Focus Nordic AB

Address: Bergsjödalens 48, 41568 Gothenburg

Tel: +46 31 336 23 00

http: //www.focusnordic.com **E-mail:** info@focusnordic.se

Norway/Focus Nordic

Address: Ringeriksveien 164, 1339 Vøyenenga

Tel: +47 67 17 37 00

http: //www.focusnordic.no **E-mail:** info@focusnordic.no

Finland/Focus Nordic

Address: Knitter Business Park, Kutojantie 6-8, FI-02630 Espoo

Tel: +35 89 42 83 41 01

http: //www.focusnordic.fi **E-mail:** info@focusnordic.fi

Denmark/Focus Nordic

Address: Erhvervsvej 30, DK-2610 Rodovre

Tel: +46 31 336 23 00

http: //www.focusnordic.dk **E-mail:** info@focusnordic.dk

Iceland/Focus Nordic

Address:

Tel: +46 31 336 23 00

http: //www.focusnordic.is **E-mail:** info@focusnordic.is

Latvia /Focus Nordic

Address: Vienibas Avenue 109, LV-1058 Riga Latvia

Tel: +46 31 336 23 00

http: //www.focusnordic.lv **E-mail:** info@focusnordic.lv

Sri Lanka/CameraLK Store

Address: CameraLK Colombo: 263, Highlevel Road Colombo 05 00500 - Western

CameraLK Majestic City: No 28, 3rd Floor Majestic City Colombo 04 00400 - Western

CameraLK Kandy: 127A 1/1 D S Senanayake Veediya Kandy 20000 - Central Province

0812233872

Tel: +(94) 117 817 870

http: //www.cameralk.com **E-mail:** ushitha@cameralk.com

Kenya/Cameras Africa

Address: Nairobi along Kenyatta Avenue, next to Phoenix House. 1 Min Walk from Sentrim 680 Hotel

Tel: 00254722764900

http: //www.camerasafrica.com **E-mail:** sales@camerasafrica.com



Garantie
Warranty
Garantia
Garanzia



SIRUI Professional Photographic Equipment

Product	Warranty length	Produkt	Garantie Zeitraum
Tripods / Monopods / Heads / Accessories	6 years	Stativ / Köpfe / Zubehör	6 Jahre
Humidity Control Cabinet (only Cabinet)	6 years	Humidor Schränke (nur Schränke)	6 Jahre
Humidity Control Cabinet (Electronics)	3 years	Humidor Schränke (elektronisch)	3 Jahre
Filters / Smartphonetools / Electronic Devices	2 years	Filter / Smartphonezubehör / Elektronische Geräte	2 Jahre

Model, Modell, Modèle, Modelo

Date, Datum, Fecha, Data

Dealer, Händler, Marchand, Comerciante, Negociante

European Service Center:

SIRUI Optical GmbH • Ernst-Augustin-Str. 1a • 12489 Berlin • Germany

Phone: +49 30 991 94 94 00

Email Address : info@siruioptical.eu

Deutsch

Die SIRUI Optical GmbH, Ernst-Augustin-Str. 1a, 12489 Berlin, gewährt Käufern eine Garantie von 6 Jahren ab Kaufdatum auf die Freiheit von Herstellungs- und Materialfehlern dieses Produkts. Von dieser Garantie nicht erfasst sind Schäden durch mechanische Beeinträchtigungen, große Hitze, nicht bestimmungsgemäße Verwendung sowie Abhandkommen. Diese Garantie gilt nur in Verbindung mit dieser Garantiekarte und einem in Europa ausgestellten Kaufbeleg. Die gesetzlichen Rechte – insbesondere die gesetzlichen Gewährleistungsrechte – bleiben hiervon unberührt. Im Garantiefall wenden Sie sich bitte an das umseitig genannte Servicecenter.

English

SIRUI Optical GmbH, Ernst-Augustin-Str. 1a, 12489 Berlin, guarantees purchasers that this product will remain free from manufacturing and workmanship defects for 6 years from the date of purchase. Damage caused by mechanical damage, excessive heat, improper use and loss are not covered by this warranty. This warranty is valid only in connection with this warranty card and a receipt issued in Europe. Statutory rights – in particular the statutory warranty rights – remain unaffected. In the event of a warranty claim please contact the service centre listed overleaf.

Français

La société SIRUI Optical GmbH, Ernst-Augustin-Str. 1a, 12489 Berlin, offre aux acheteurs une garantie de 6 ans, à compter de la date d'achat, contre tous défauts de fabrication ou de matériaux. Cette garantie ne couvre pas les dommages causés par des problèmes mécaniques, la chaleur excessive, l'utilisation abusive et la perte. La garantie est uniquement valable si associée à la présente carte de garantie et une preuve d'achat délivrée en Europe. Les droits légaux en particulier les droits de garantie prévus par la loi restent inchangés. En cas de recours à la garantie, veuillez vous adresser au centre de service mentionné au recto.

Italiano

La SIRUI Optical GmbH, Ernst-Augustin-Str. 1a, 12489 Berlin, offre agli acquirenti una garanzia di esenzione da difetti di fabbrica e di lavorazione di questo prodotto, della durata 6 anni dalla data di acquisto. Tale garanzia non copre alcun danno causato da guasto meccanico, calore eccessivo, uso improprio nonché perdita. La garanzia è valida solo se accompagnata dalla presente scheda di garanzia e ad una prova di acquisto rilasciata in Europa. I diritti legali - in particolare, i diritti di garanzia previsti dalla legge - rimangono inalterati. In caso di intervento in garanzia, si raccomanda di rivolgersi al centro di assistenza indicato sul retro.

Español

La sociedad SIRUI Optical GmbH, Ernst-Augustin-Str. 1a, 12489 Berlin, otorga a sus compradores una garantía de 6 años a partir de la fecha de compra por los vicios ocultos y defectos de fabricación de este producto. La garantía no cubrirá los daños ocasionados por desgastes mecánicos, altas temperaturas, un uso no conforme con lo prescrito o por pérdida o extravío, y sólo será válida presentando esta carta de garantía y el comprobante de compra expedido en Europa. Lo anterior no afectará a los derechos legales y, en particular, a los derechos de garantía legales. En el caso contemplado en la garantía, le rogamos se ponga en contacto con el Centro de atención al cliente, cuya dirección consta en el dorso de esta carta de garantía.

Português

A SIRUI Optical GmbH, Ernst-Augustin-Str. 1a, 12489 Berlin, garante aos seus clientes uma garantia de 6 anos a partir da data de aquisição relativa à liberdade de defeitos de produção e fabrico do produto. Esta garantia não cobre danos causados por efeitos adversos decorrentes de avaria mecânica, calor excessivo, utilização indevida, ou perda. Esta garantia é apenas válida mediante apresentação deste cartão de garantia e um recibo emitido na Europa, sem prejuízo dos direitos legais (em particular, os direitos legais de garantia). Em caso de reclamação, contate o centro de serviço referido no verso.

SIRUI

Professional Photographic Equipment

Warranty



For US Market Only

SIRUI USA, LLC

For technical support, service or repairs please, contact:

29 Commerce Court Verona, NJ 07044

info@sirui.com Phone: 866-373-0829



Thank you for your purchase of Sirui professional products! Sirui warrants that your purchase is free from defects in materials and workmanship, under normal use during the Limited Warranty period. The warranty period starts on the original date of purchase on your sales receipt. If service is required, please include a copy of the sales receipt and this warranty card, with an explanation of the problem. Please store your sales receipt and warranty card in a safe location.

Product	Warranty period
Tripods and Heads	6 years
Optical and Smart Products	1 year (Battery: 6 months)
Humidity Control Cabinets	6 year (Electronic components: 3 years)

Model purchased: _____

Date: _____

Store: _____

Serial number: _____

Sirui USA Limited Warranty

This warranty is limited to the repair, adjustment and/or replacement, at Sirui or its authorized distributor's option, of defective parts, free of charge (except the cost of transportation to the distributor/service center). Responsibility is limited to actual cost of item.

Register online at www.sirui.com. Call or email with questions or problems, before sending product in for repair. For warranty service on product purchased in the USA, all shipping and insurance charges must be prepaid. Include a copy of the sales receipt, this warranty card and an explanation of the problem. The product or defective part(s) may be sent through a local authorized SIRUI USA dealer or directly to the SIRUI USA distributor/service center indicated on this warranty card. Sirui will not be responsible for expenses or inconveniences, or consequential damages to equipment, or by breach of any expressed or implied warranty.

Out-of-warranty repairs - An estimate (including shipping costs) will be provided by the SIRUI USA distributor/service center indicated on this warranty card and repairs will begin once the estimate is approved and payment is received. A return shipping fee will be charged for refused estimates.

Limitations

Warranty is non-transferable. This warranty covers all defects encountered in normal use of the equipment and does not apply in the following cases:

- 1) If the equipment has been serviced by other than an authorized Sirui distributor or service center.
- 2) Damage to the equipment due to modification, overloading, mistanding, abuse, accident, sand, corrosives, water damage or not following operating instructions.

3) A valid proof of purchase is provided.

4) Damage caused by fire, flood, earthquake, etc. (including, but not limited to fires, floods or earthquakes).

5) Damage caused by theft or loss of the product.

This warranty is only valid when product is purchased from an authorized SIRUI USA dealer.

Please visit SIRUI's USA official website or consult the local dealer for the Return and Exchange Policy.